

Static Grounding Reels

WARNING

These reels are for static grounding ONLY.
NOT intended for lightning protection!

For refueling or hazardous areas.

- These reels bond and/or ground aircraft, fuel trucks, and other equipment.
- Provide smooth operation and require minimum cable pull.
- Declutching arbor and adjustable guide arm with cable guide.
- Optional stainless steel construction of spool, frame, and ratchet system available on HGR Series.
- Standard finish is oven-cured enamel.
- Also available, manual rewind version.



Model HGR50
(Shown with optional "Y" branch)



Model SSHGR50
(Optional unpolished stainless steel HGR50)



Model MHGR50



Model HGR100



Model MHGR100



Model GR75



Model MGR75

All reels shown with optional pcc cable and clamp.

Quality. Value. Service. Built by Hannay.

- Available with 1/8", 7 x 19 galvanized carbon steel cable.
- 100 amp Alligator clamp.
- Stainless steel or plastic-covered cable and "Y" branches are available at an additional charge.
- Cable guide arm of cast aluminum and ZA-12 aluminum zinc alloy.

Series GR75

- Sealed spring is a good economical choice that's compact and lightweight.

Series HGR

- A non-sparking ratchet assembly.
- Reels are repairable and parts are readily available.
- Supplied with 18" long grounding strap with eyelet connectors on both ends.

Parts Drawings: HGR Series – ISO 10 and MHGR Series – ISO 234

Model Number	Cable Capacity of Reel feet m	Approx. Weight lb. kg		Reel Dimensions*** in. mm									
		Without Cable	With Cable	A	B	C	D	E	F	G	H	X	Y
GR75	75	11	14*	2	2	7	9	9.25	3.5	9.88	5.06	1	7.88
	23	5	6	51	51	178	229	235	89	251	129	25	200
† MGR75	75†	11	13*	2	2	7	9	9.25	5.25	9.88	5.06	1	7.88
	23†	5	6	51	51	178	229	235	133	251	129	25	200
HGR50	75	28	30*	4	1.25	10.75	11.5	14.25	5.5	16.75	8.88	2.38	7.5
	23	13	14	102	32	273	292	362	159	425	226	60	191
† MHGR50	125†	19	23*	4	1.25	10.75	11.5	14.25	6.25	16.75	8.88	2.38	7.5
	38†	9	10	102	32	273	292	362	159	425	226	60	191
HGR100	100	37	41*	4	1.25	13.25	11.5	16.75	5.5	17.75	8.88	2.38	7.5
	30	17	19	102	32	337	292	425	140	451	226	60	191
† MHGR100	175†	25	31*	4	1.25	13.25	11.5	16.75	6.25	17.75	8.88	2.38	7.5
	53†	11	14	102	32	337	292	425	159	451	226	60	191

Optional GTP Gator® Clamp

(GTP-9654)

Part No. 9951.0032



Optional Browne Clamp

(ALS-10)

Part No. 9951.0031



Optional Grounding Jack

per MIL-C-8341D/4

Part No. 9951.0033



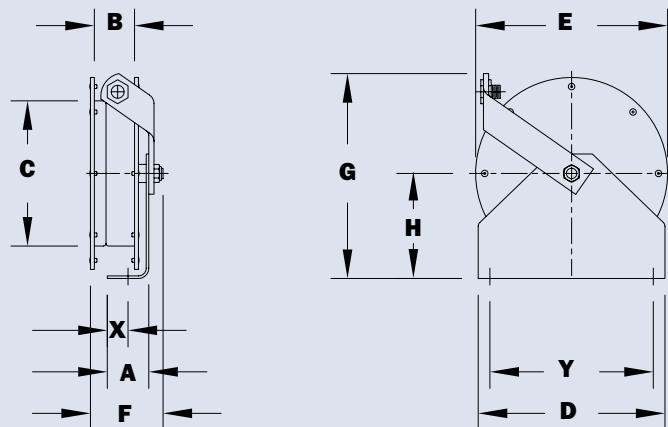
Notes:

1. Specifications subject to change.
2. When ordering, specify model number, gauge, O.D., length, and coating if required.
3. Specify "Y" branch if required.
4. **Finish:** Refer to page 2.

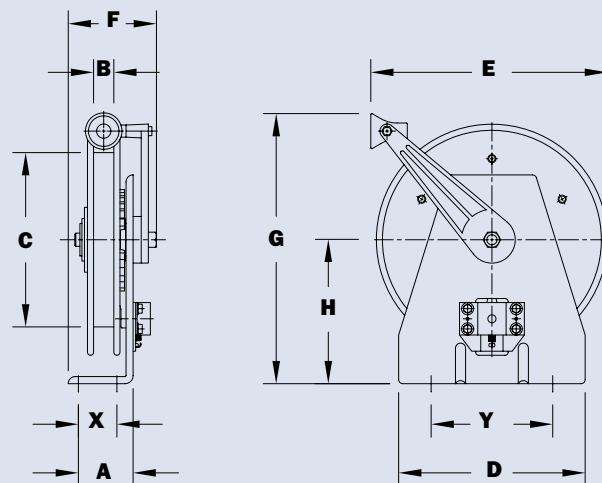
*Reels can be shipped as a parcel package (via FedEx or UPS Ground).

*** X, Y indicate mounting holes. See page 2.

† Capacities shown are for PCC (plastic coated cable). Capacities may be higher for uncoated cable; consult factory.



Model GR75/MGR75 – GR75 shown



Model HGR50/HGR100/MHGR50 – HGR shown



All Hannay reels are constructed of quality heavy gauge steel (optional aluminum or stainless steel also available on most models).

